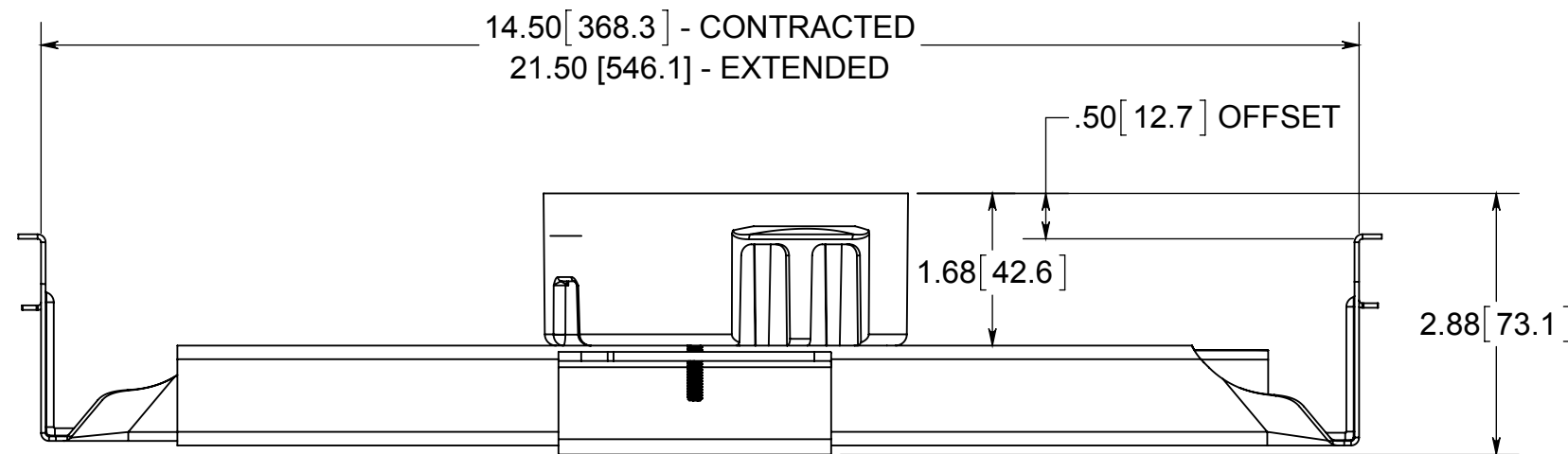
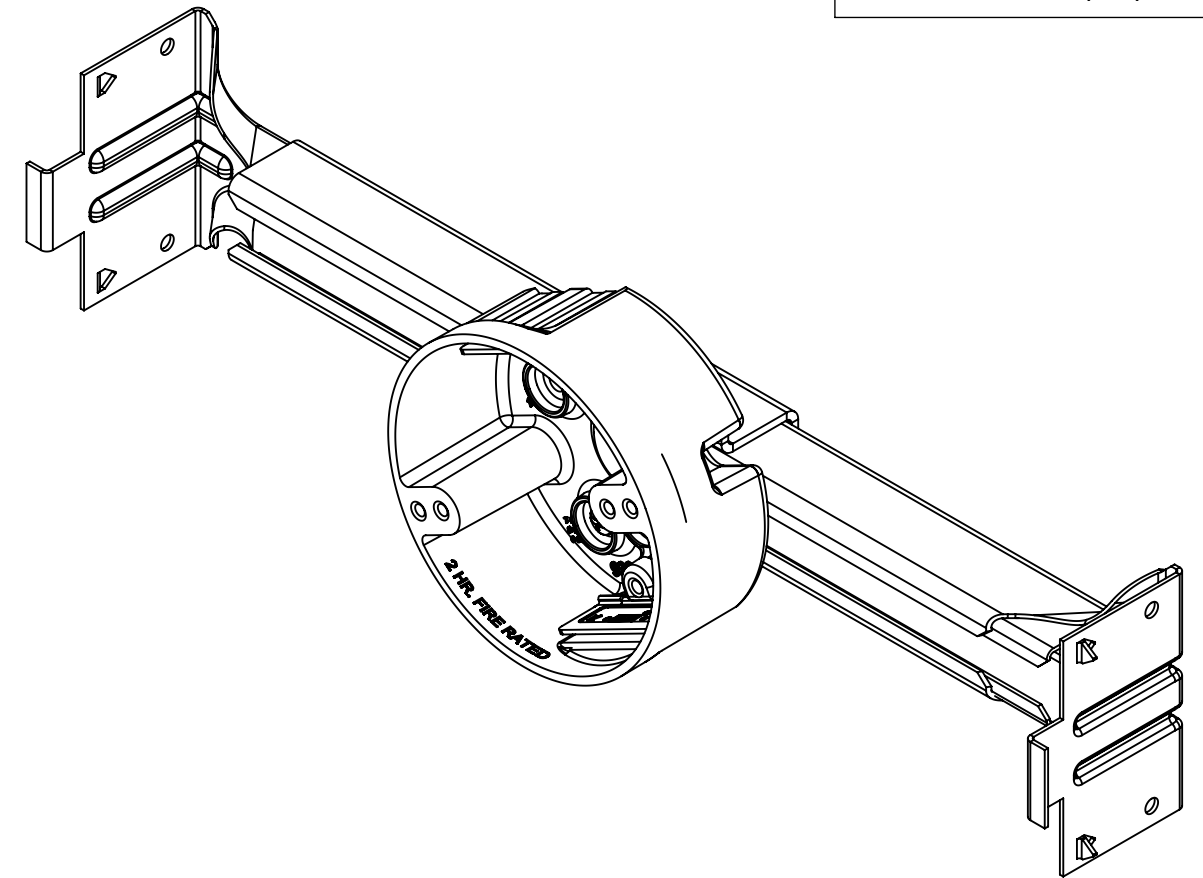
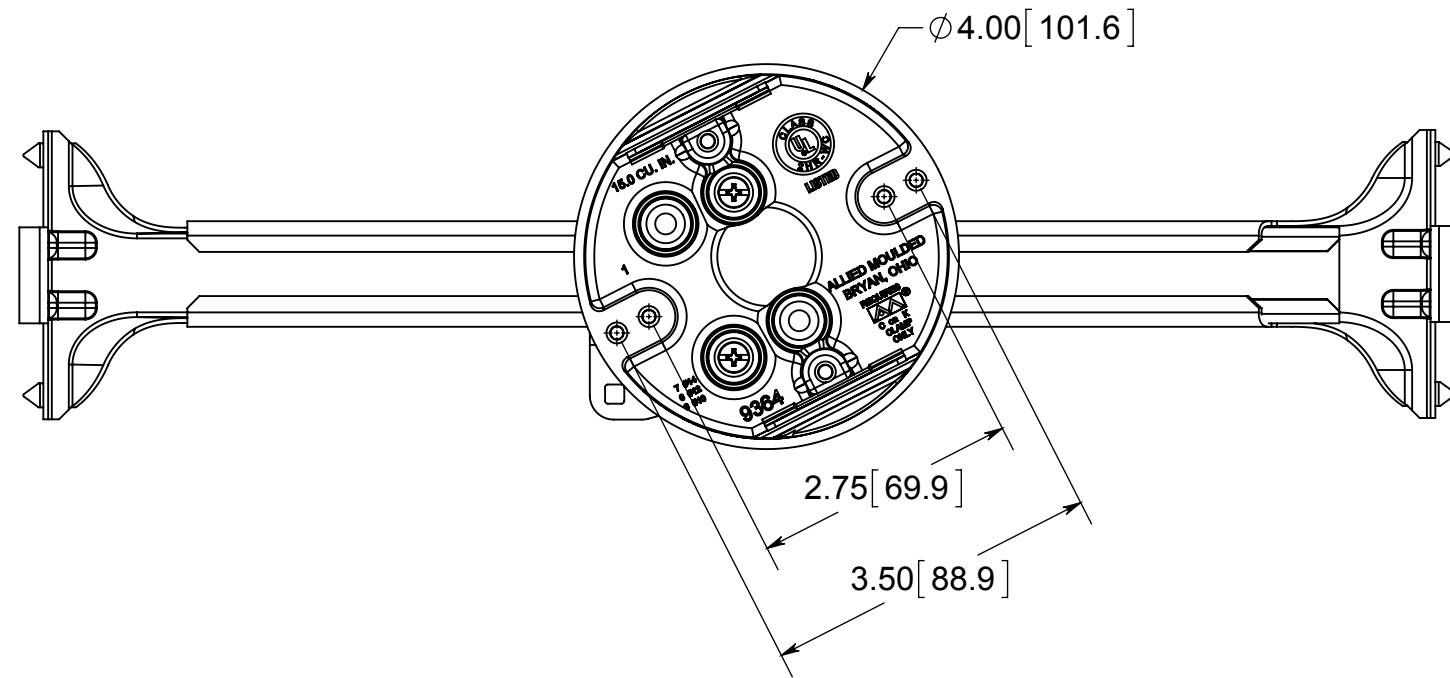


# fiberglass BOX™

ISSUE DATE: 04/09/2015



**NOTES:**

- 1.) BOX MATERIAL: FIBERGLASS REINFORCED POLYESTER, STUD SCREW MATERIAL: PLATED CARBON STEEL, BOX MOUNTING SCREW: ZINC PLATED STEEL, FIXTURE MOUNTING SCREW: ZINC PLATED STEEL, SPEED KLAMP MATERIAL: PVC, BAR MATERIAL: GALVANIZED STEEL, BRACKET MATERIAL: GALVANIZED STEEL
- 2.) UL LISTED WITH 2 HOUR FIRE RATING FOR WALL AND CEILING
- 3.) 2 SPEED KLAMPS FACTORY INSTALLED
- 4.) FAN RATED AT 35-LBS, FIXTURE RATED AT 50-LBS
- 5.) MOUNTING HARDWARE INCLUDED: 4x #6 X 1.625 WOOD SCREWS, 2x #8-32 X .75 MACHINE SCREWS, 2x #8-32 1.25 MACHINE SCREWS



**ALLIED MOULDED PRODUCTS**  
BRYAN, OHIO

The Original Fiber Glass Outlet Box

PRODUCT SERIES

4.0" ROUND FAN RATED BAR, 15.0 CU.IN.

Part No.

**9364-FANB**

**CONFIDENTIAL**

THIS MATERIAL IS OWNED BY THE ALLIED MOULDED PRODUCTS COMPANY, IS DISCLOSED IN CONFIDENCE, AND IS NOT TO BE REPRODUCED OR DISTRIBUTED WITHOUT PRIOR WRITTEN PERMISSION FROM ALLIED MOULDED PRODUCTS.